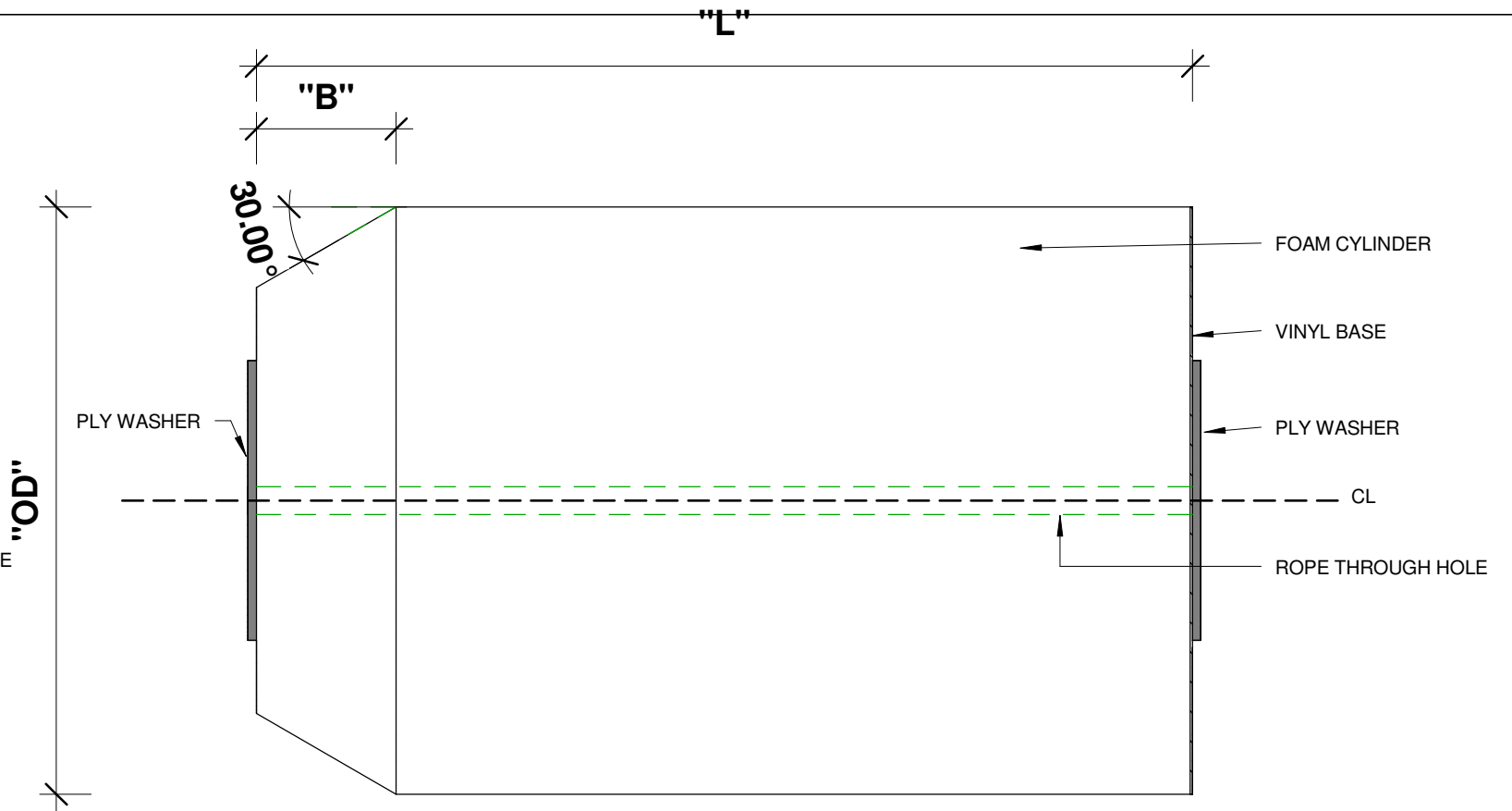
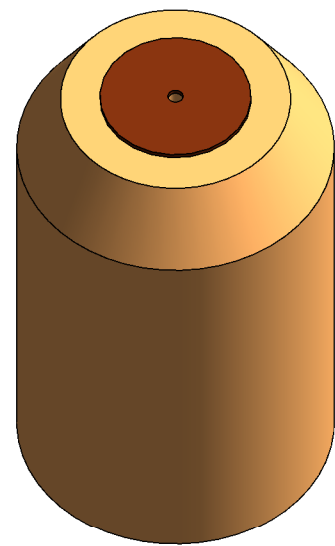


TOP VIEW TYPE 02



SIDE VIEW TYPE 02



POLYFERRIT TYPE 02 ISO

"OD"	"L"	"B"	VOL m <sup>3</sup>	LIGHT DENSITY KG	LOW DENSITY KG	MEDIUM DENSITY KG
135	220	33	0.00315	0.04725	0.08506	0.13231
155	250	37	0.00472	0.07079	0.12742	0.19821
160	260	39	0.00523	0.07845	0.14120	0.21965
175	280	42	0.00674	0.10106	0.18191	0.28298
180	290	43	0.00738	0.11074	0.19933	0.31007
195	320	48	0.00956	0.14341	0.25814	0.40154
200	320	48	0.01006	0.15086	0.27154	0.42240
215	350	52	0.01271	0.19068	0.34322	0.53390
220	350	52	0.01331	0.19965	0.35937	0.55902
230	370	55	0.01538	0.23068	0.41523	0.64591
240	380	57	0.01720	0.25797	0.46434	0.72230
270	430	64	0.02463	0.36945	0.66500	1.03445
290	470	70	0.03106	0.46585	0.83854	1.30439
300	480	72	0.03394	0.50914	0.91646	1.42560
340	540	81	0.04905	0.73571	1.32428	2.05999
365	560	84	0.05862	0.87929	1.58271	2.46200
380	610	91	0.06921	1.03813	1.86864	2.90677
405	650	97	0.08377	1.25655	2.26179	3.51834
420	670	100	0.09286	1.39293	2.50727	3.90020
460	740	111	0.12303	1.84545	3.32182	5.16727
485	780	117	0.14416	2.16239	3.89230	6.05469
505	810	121	0.16231	2.43458	4.38224	6.81682
520	830	124	0.17634	2.64509	4.76116	7.40626
540	865	130	0.19818	2.97276	5.35096	8.32372
560	890	133	0.21930	3.28944	5.92099	9.21043
575	920	138	0.23899	3.58492	6.45286	10.03778
625	1000	150	0.30692	4.60379	8.28683	12.89063
695	1110	166	0.42127	6.31900	11.37420	17.69321

SAMPLE SIZES : CUSTOM SIZES AVAILABLE

FPK

No.	Description	Date

POLYFERRET TYPE 02 - PULL THROUGH

Project number	Project Number
Date	Issue Date
Drawn by	Author
Checked by	Checker

A102

1 : 5